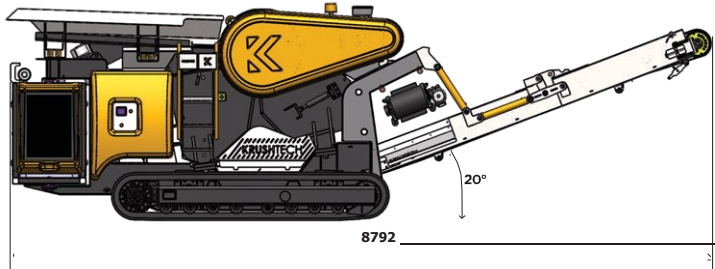


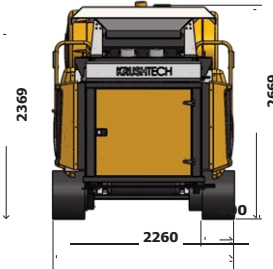
Dimensions

	Work Position (mm)			Transport Position (mm)		
Ecokrush 6150	H: 3170	L: 9130	W: 2330	H: 2769	L: 7300	W: 2330
Ecokrush 8055	H: 2369	L: 8792	W: 2260	H: 2669	L: 6939	W: 2260

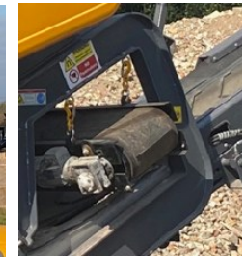
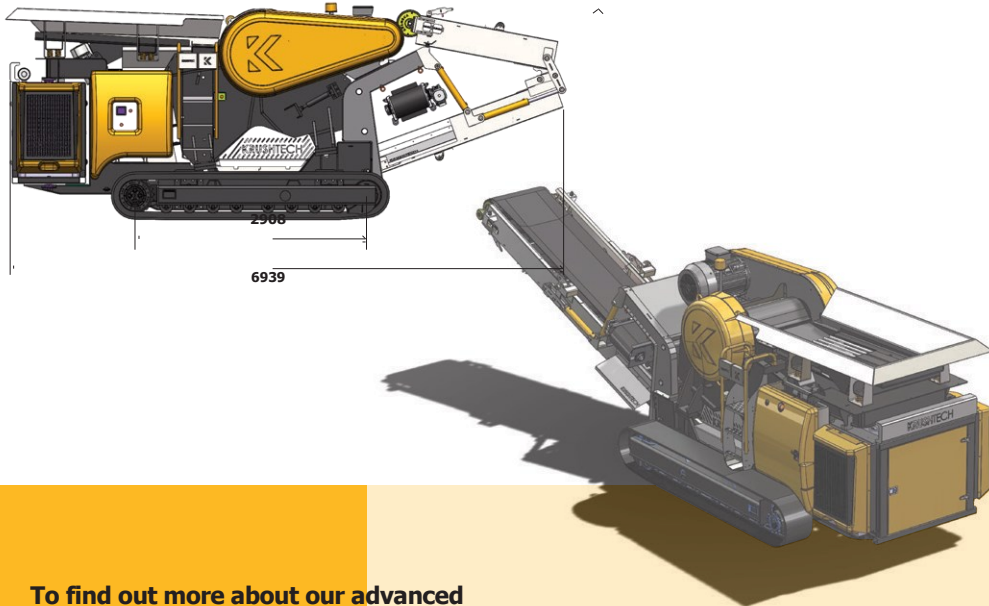
Work Position 8055



Rear View



Transport Position



To find out more about our advanced compact crushers please call +353 93 51017 or email info@krushtech.eu

www.krushtech.eu

KrushTech

KrushTech
We design and build advanced compact crushers

www.krushtech.eu

Dimensions

The EcoKrush 6150 and 8055 are mobile jaw crushers that will turn our waste demolition rubble in profitable reusable materials and help you meet your environmental goals into the future. It's the perfect compromise between efficiency and compactness.

Designed to operate directly on demolition sites

- No special transport permission needed
- Save on transport and landfill costs

Ideal for inner cities and small contract jobs

- Engines emissions compliant T4F/Stage V
- Quiet operation, 80dB at 20m

Perfect for rental

- Long-lasting design with integrated Hardox plates
- Super easy to operate and serviceable with pivot engine



Hardox Wear Plates
High resistant steel on work areas

Magnet Band Conveyor
(Optional)

Chevron Belt
Allows more angle to increase your pile height

Pivotable
Generator Engine and hydraulics full access

Access Points
Have a look inside the machine safely

General Specifications

	Krushtech EcoKrush 6150	Krushtech EcoKrush 8055
Jaw Crusher	610mm x 480 mm	800mm x 550mm
Jaw Adjustment	20mm - 100mm	25mm – 110mm
Feed Range	480mm	500mm
CSS Range	20mm – 100mm	25mm – 100mm
Production Capacity	10-55m ³ /h (16-80tons/h)	30 to 140TPH
Vibrating Feeder Dims	2300mm x 1480mm – 1.5m ³	2300mm x 1480mm – 1.5m ³
Loading Height	2695mm	2660mm
Conveyor Discharge	2600mm	2369mm
Conveyor Width	600mm	800mm
Conveyor Unloading Distance	5300mm	4300mm
Hybrid Power	FPT 36, 95 kW	FPT 36, 95 kW
Apparent Power	100Kva – Hybrid Power	138Kva – Hybrid Power
Fuel Tank Capacity	90L	130L
Consumption	5-18 l/h	12–16 l/h
Gross Weight	14 tonnes	19.7 tonnes

Options & Accessories



Magnet band
Conveyor Remove all ferrous material from your rubble



Remote control
Allow you to track the machine at distance



Automatic feeder slow down
Reduce input to jaw when the crusher is full



Reverse jaw
For sticky application (asphalt...) or to unlock jammed materials